
Autotech Controls

Remote Relay Chassis

Instruction & Operation Manual



AVG Automation
Autotech Controls
343 St. Paul Boulevard
Carol Stream, IL 60188

Telephone: 630-668-3900
800-TEC-ENGR

Fax: 630-668-4676

Installation & Operation Manual

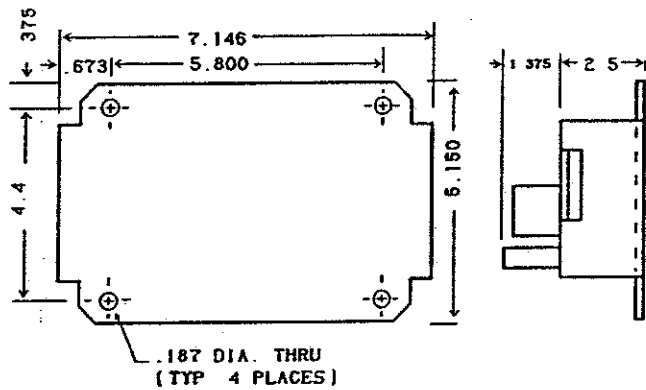
Relay Output Chassis

ASY-RLYCH-08xx

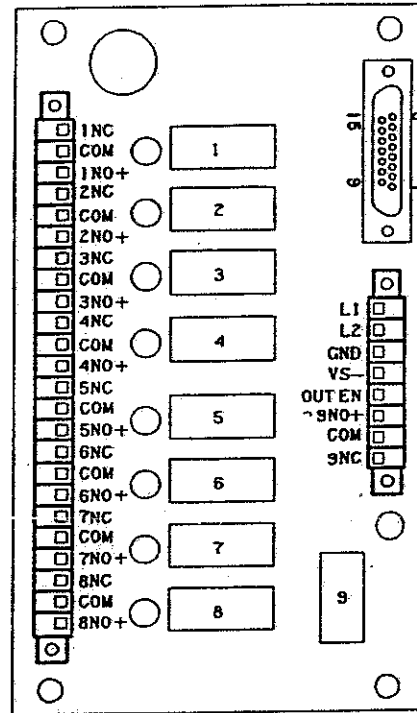
Autotech's Relay Chassis ASY-RLYCH-08xx accepts 9 current sinking inputs and provides corresponding 9 power relay outputs. The Chassis is available for electromechanical or solid state relays. Many of Autotech's products (such as M1050, M1151, M1450 etc.) provide outputs and connector compatible with relay chassis input requirements. Wiring to such products is done by using a preterminated cable having compatible D-shell connector on both ends.

Mounting Diagram:

Power Relay Output Chassis



Wiring Diagram:



DB15 Connectors' pin functions Cable: CBL-15S22-DAxxx

Pin#	Cable Color	Function
1	Black	NC
2	White	VS (-) (DC supply common)
3	Red	VS + *Unregulated 12VDC Output
4	Green	Input 9
5	Orange	Input 7
6	Blue	Input 5
7	White/Black	Input 3
8	Red/Black	Input 1
9	Green/Black	VS -
10	Orange/Black	VS + *Unregulated 12VDC Output
11	Blue/Black	**Output Enable
12	Black/White	Input 8
13	Red/White	Input 6
14	Green/White	Input 4
15	Blue/White	Input 2

Notes:

- *Unregulated DC output voltage with limited current capability
- **This Pin is connected to OUT EN terminal and is used by Autotech's Products to enable/disable outputs.

Specifications

Inputs: 50 mA current sinking

Outputs: Relay chassis is available for EM or Solid state relays.

Electromagnetic relays (Part# KSD-012DC-10A):

120 VAC @ 10 Amp, SPST

Solid State AC relay (Part# KSS-120AC-3AMP):

24-280VAC @ 0.2-3 Amp, zero cross-over
switching triac output relay, optically isolated

Solid State DC relays

Part# KSS-60VDC-3AMP:

9-60VDC @ 3 Amp, optically isolated

Part# KSS-200VDC-1AMP:

0-200VDC @ 1Amp, optically isolated

How to Order

ASY^Y-RLYCH-08RL

Chassis for 8 EM-relay outputs with motion detector output and built-in power supply

ASY^Y-RLYCH-08SS

Above chassis for 8 solid-state relay outputs

*For 220 VAC unit, change the "Y" to "2" and
for 240 VAC unit, change the "Y" to "4".

Installation & Operation Manual

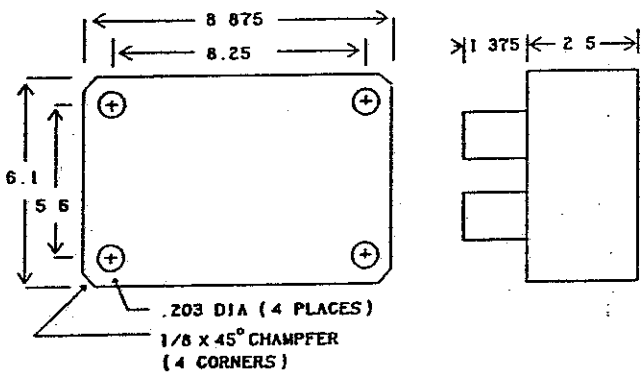
Relay Output Chassis

ASY-RLYCH-16xx

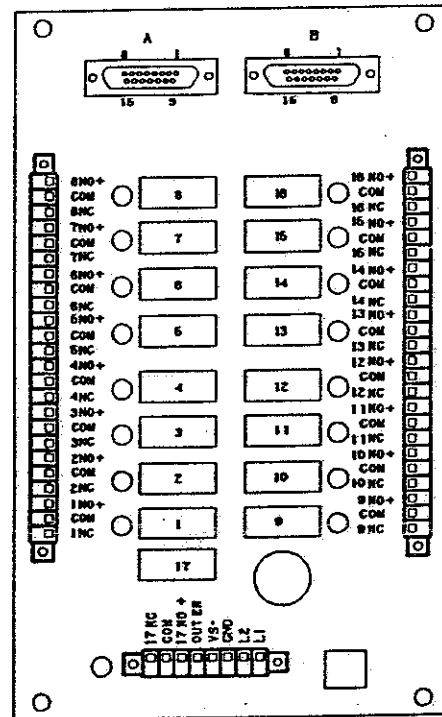
Autotech's Relay Chassis ASY-RLYCH-16xx accepts 17 current sinking inputs and provides corresponding 17 power relay outputs. The Chassis is available for electromechanical or solid state relays. Many of Autotech's products (such as M1050, M1151, M1450 etc.) provide outputs and connector compatible with relay chassis input requirements. Wiring to such products is done by using a preterminated cable having compatible D-shell connector on both ends.

Mounting Diagram:

Power Relay Output Chassis



Wiring Diagram:



DB15 Connectors' pin functions

Cable: CBL-15S22-DAxxx

Pin#	Cable Color	ConnectorA	ConnectorB
1	Black	NC	NC
2	White	VS (-)	VS (-)
(DC supply common)			
3	Red	VS +	VS +
*Unregulated 12VDC Output			
4	Green	Input 9	Direction Input
5	Orange	Input 7	Input 15
6	Blue	Input 5	Input 13
7	White/Black	Input 3	Input 11
8	Red/Black	Input 1	Input 9
9	Green/Black	VS -	VS -
10	Orange/Black	VS +	VS +
*Unregulated 12VDC Output			
11	Blue/Black	**Output Enable	NC
12	Black/White	Input 8	Motion Input
13	Red/White	Input 6	Input 14
14	Green/White	Input 4	Input 12
15	Blue/White	Input 2	Input 10

Notes:

*Unregulated DC output voltage with limited current capability
 **This Pin is connected to OUT EN terminal and is used by Autotech's Products to enable/disable outputs.

Specifications

Inputs: 50 mA current sinking

Outputs: Relay chassis is available for EM or Solid state relays.

Electromagnetic relays (Part# KSD-012DC-10A):

120 VAC @ 10 Amp, SPST

Solid State AC relay (Part# KSS-120AC-3AMP):

24-280VAC @ 0.2-3 Amp, zero cross-over switching triac output relay, optically isolated

Solid State DC relays

Part# KSS-60VDC-3AMP:

9-60VDC @ 3 Amp, optically isolated

Part# KSS-200VDC-1Amp:

0-200VDC @ 1Amp, optically isolated

How to Order

ASY-RLYCH-16RL

Chassis for 16 EM-relay outputs with motion detector output and built-in power supply

ASY-RLYCH-16SS

Above chassis for 16 solid-state relay outputs

*For 220 VAC unit, change the "Y" to "2" and for 240 VAC unit, change the "Y" to "4".